

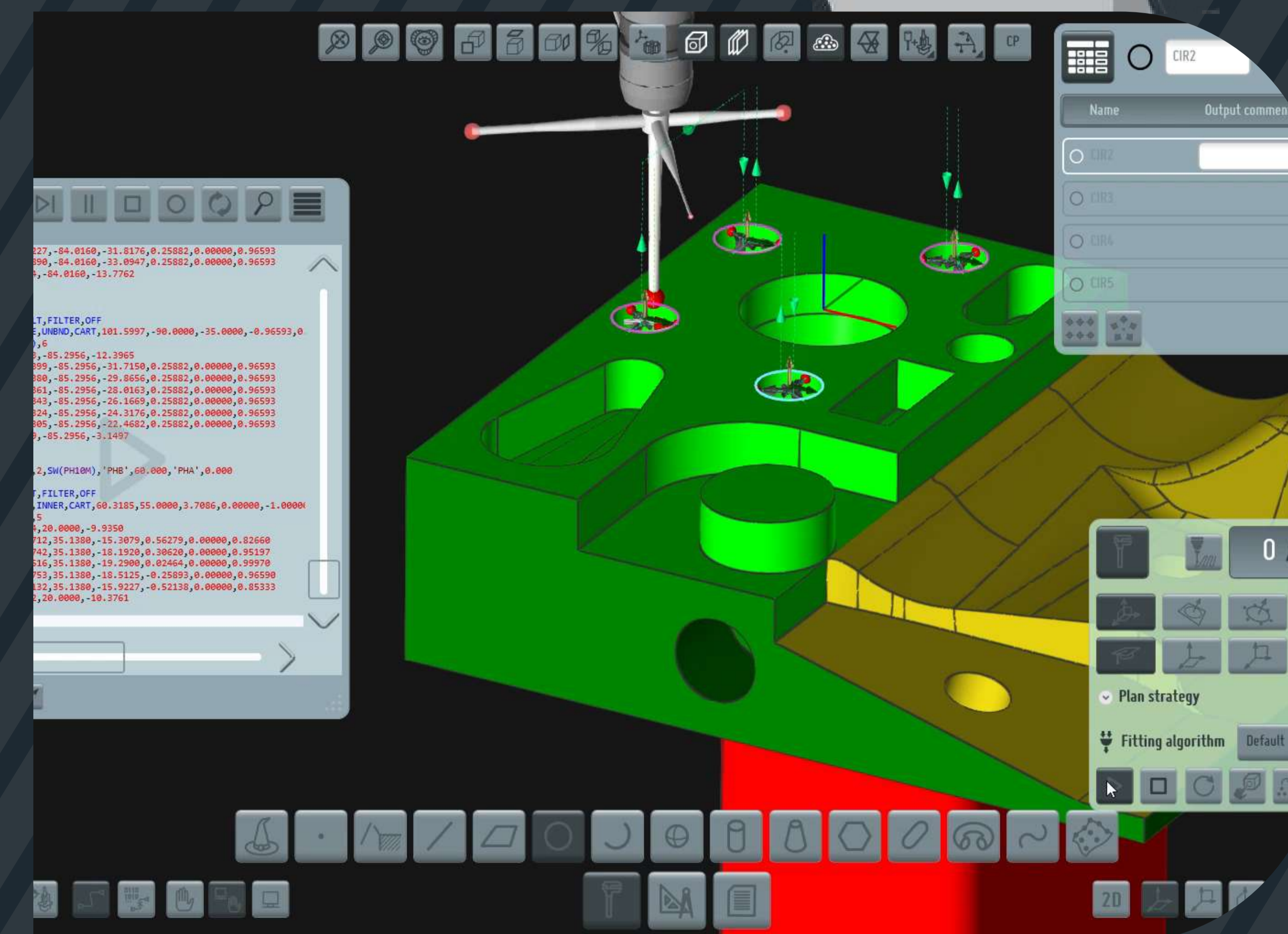
# FEATURES

	Man	Arms	Trackers	Cnc
<b>Measuring Functionalities</b>				
Geometrical features inspection	●	●	●	●
Free forms inspection	●	●	●	●
Automatic feature type detection	●	●	●	●
Automatic features confirmation in manual mode	●	●	●	●
Geometrical constructions with automatic type detection	●	●	●	●
Relative measure	●	●	●	●
Geometrical, free form, RPS Part alignment	●	●	●	●
Iterative RPS Alignment	—	—	—	●
Clearance distance, clearance plan and clearance box	—	—	—	●
Geometrical and GD&T tolerancing	●	●	●	●
DMIS program block and code view	●	●	●	●
Advanced and parametric DMIS programming and macro	●	●	●	●
Different features calculation algorithms	●	●	●	●
Numerical points Filtering	—	—	—	○
Blueprint environment for 2D constructions and reporting	●	●	●	●
Cad model positioninf for off-line inspection	—	—	—	●
Point cloud: editing, sections comparison, feature extraction, meshing	—	—	—	○
Holes seek	—	—	—	●
Threaded hole	—	—	—	●
Leap frog	—	●	●	—
Level plane	—	●	●	—
Remote control	—	●	●	—
<b>Output and export</b>				
Graphic Text report	●	●	●	●
Features export (IGES and STEP)	●	●	●	●
Measured profiles export (IGES, STEP and ASCII files)	●	●	●	●
Excel report	●	●	●	●
XML export also for industry 4.0	●	●	●	●
Metrology gate	●	●	●	●
Mesh Point clouds export (STL)	—	—	—	○
Color map surface reporting	—	—	—	○
Offline programming	—	—	—	○
<b>Hardware and measuring mode</b>				
Thermal compensation	●	●	●	●
Probe definition and calibration	●	●	●	●
Program launcher and Job Organizer (Easy Runner)	○	○	○	○
Probe changer racks	—	—	—	●
Non-contact measure with laser scanner	—	—	—	○
Scanning mode inspection with SP25 and SP80	—	—	—	○
5 axes measure with PH20	—	—	—	○
Integration with automation processes	—	—	—	○
<b>Miscellaneous</b>				
IGES/STEP neutral CAD file import	●	●	●	●
CAD transformations (rotations, translations and mirror copies)	●	●	●	●
CAD layers import and managing	●	●	●	●
Native CAD file translators	○	○	○	○
Part program mirroring	●	—	—	●
Text to speech	●	●	●	●
Creation of custom functionalities by plugins	●	●	●	●
Certified algorithms by PTB	●	●	●	●
User profiles with different permissions	●	●	●	●
Floating, multiple and educational licenses	○	—	—	○

● Included ○ Optional — Not available

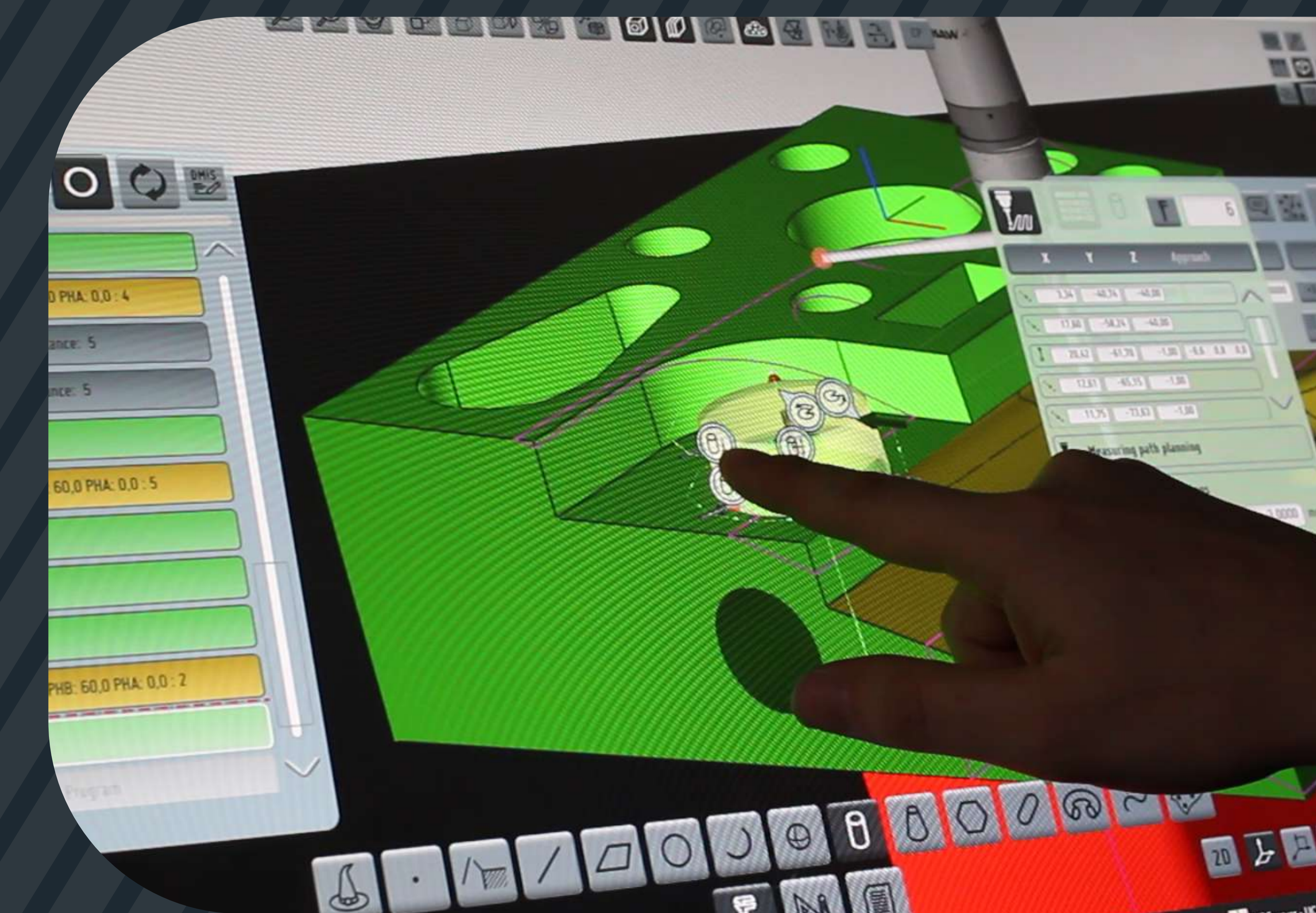
# TouchDMIS

THE MEASURING TOUCH



Discover the full-touch experience of

CMM Metrology Software



TouchDMIS  
THE MEASURING TOUCH

www.touchdmis.com

info@touchdmis.com



## SMART AND SIMPLE

TouchDMIS is one-of-a-kind solution for metrology that provides an impressive user experience and brings the inspection task to next level: **as simple as a touch!**



## THE ONE-TOUCH

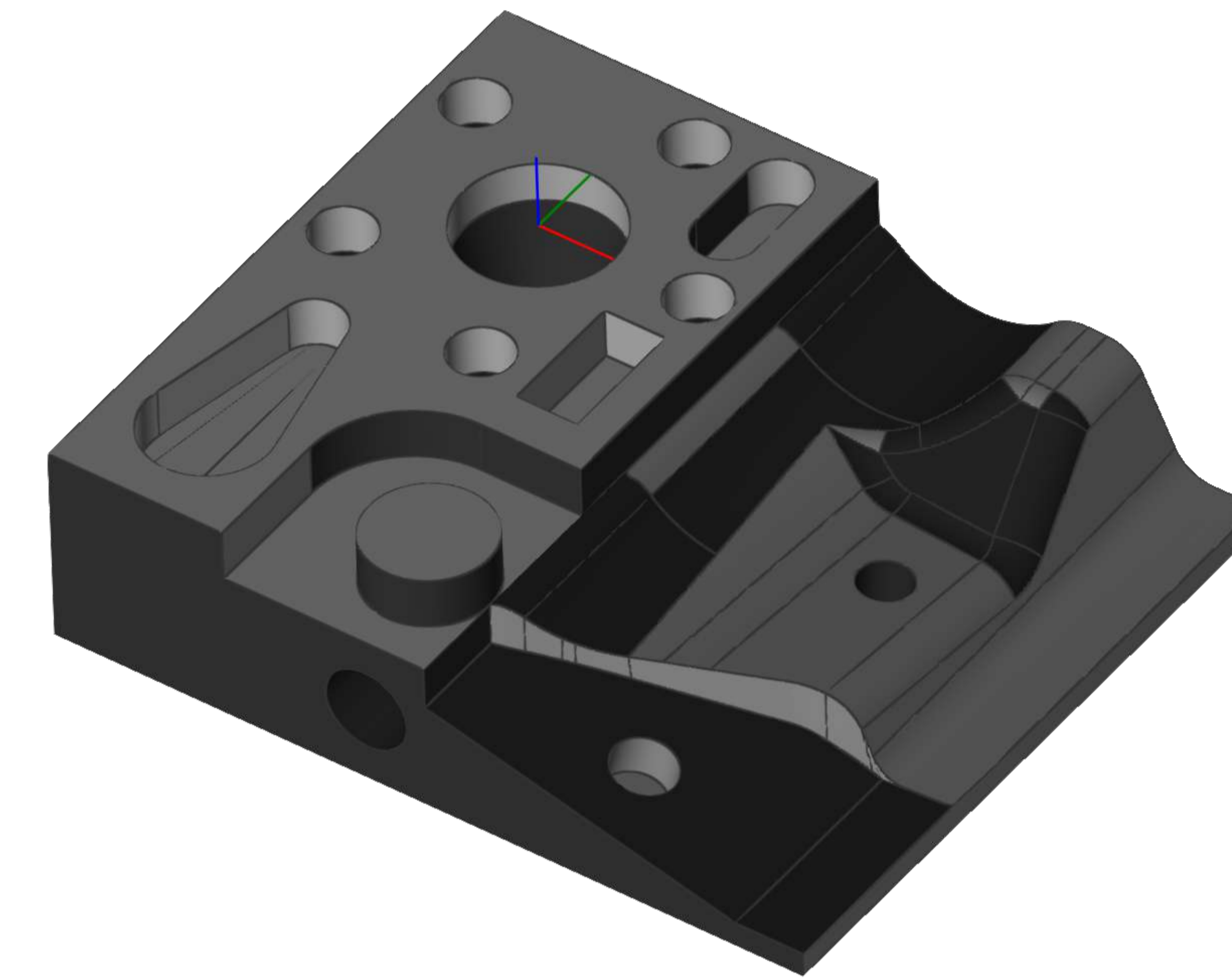
With predefined settings for all the features and processes, the definition, inspection and reporting is a **one-touch operation**.

Import the CAD model, from either a **neutral format** or **native format**, and let TouchDMIS automatically create the measurement paths.



## DIVE INTO A NEW EXPERIENCE

The inspection process has never been more intuitive, making the journey from **CAD import to Report generation** very simple. So, the process of inspection become smooth and easy



## WYSIWYG

When you want to edit your program, nothing is easier than making the changes **graphically** into the CAD environment. Each individual point or scanning path is **visually represented and updated live** as change are made and is simulated offline before the final run.

Given that time is precious, the user can **immediately review the results, in graphical or text format**.

## FROM ZERO TO HERE IN A SNAP

**Programming** has never been so easy: the graphical user interaction is taken to the extreme and finally complex **DMIS** command can be created with simplicity.

With just few touches, the inspectors complete their task **quickly** and **effectively**. No more extensive training classes and long learning curves are needed.



## TOUCH, SCAN, OR NO TOUCH

TouchDMIS offers a **full range** of probing technologies: touch trigger, scanning, 5-axis, and laser scanner.

Whether your company has a manual CMM, a DCC CMM, a portable arm, or a laser tracker, TouchDMIS supports it and suits your metrology needs.

